

DF8 Series Dome

8-INCH, INDOOR/OUTDOOR, FIXED CAMERA MOUNT, CEILING/PENDANT

Product Features

- Low Cost
- Indoor/Outdoor Applications
- Quick and Easy to Install; Hole Scribing Tool Included for In-Ceiling Models
- Versatile and Adjustable Fixed Camera Mount Bracket
- For Use in Hard Ceiling, Suspended Ceiling or Pendant Applications
- As Little as 5.2 Inches (13.2 cm) of Overhead Ceiling Space Required for In-Ceiling Models
- Optional Support Rails Available for Suspended Ceiling Applications
- Cosmetically Matches Spectra® Dome
- Outdoor Pendant Models Sealed and Weatherized for Use in Temperatures to -60°F (-51°C)

The **DF8 Series** are 8-inch, fixed mount domes that are quick and easy to install and can be used in a variety of indoor/outdoor applications.

The versatile fixed camera mount allows for 360 degree horizontal positioning and will accommodate a camera and lens up to 9 inches (22.86 cm) in length when tilted 30 degrees downward.

The lower dome, which is 8.5 inches (21.59 cm) in diameter, is easily removed for quick access to the camera.

The **DF8 Series** in-ceiling models can be installed in hard ceilings or standard 2' x 2' (61 cm x 61 cm) suspended ceilings. This compact dome requires as little as 5.2 inches (13.2 cm) of overhead space above the ceiling for installation. The back box is formed aluminum construction and is plenum rated. Multiple cable hole plugs are positioned in the top and sides of the back box and can be removed to allow cable to be run from any direction.

The **DF8 Series** feature an acrylic bubble which is available in six types: smoked bronze (in-ceiling model only), black opaque with smoked window, black opaque with clear window, chrome, gold, and white with clear window (in-ceiling model only).

The **DF8 Series** pendant models mount directly to any recommended mount, flush to a ceiling, or to 1.5-inch NPT female pipe threads. They are available in a black or gray finish for indoor applications or gray only for environmental applications. The environmental domes include a sun shield and heater kit and are suitable for use in temperatures to -60°F (-51°C).

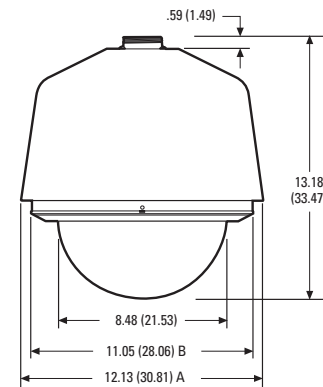
Optional wall/ceiling mounts are available for the pendant models.



IN-CEILING MODEL DF8A

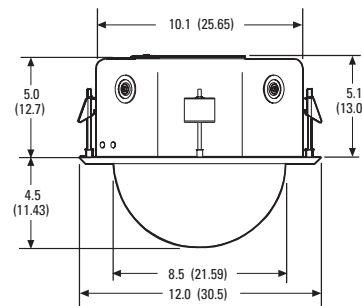


PENDANT MODEL DF8-PG-0
SHOWN WITH IWM-GY WALL MOUNT



A - OUTDOOR MODELS WITH SUN SHIELD
 B - INDOOR MODELS WITHOUT SUN SHIELD

PENDANT DF8 SERIES DIMENSION DRAWING



IN-CEILING DF8A SERIES DIMENSION DRAWING

NOTE: VALUES IN PARENTHESES ARE CENTIMETERS;
 ALL OTHERS ARE INCHES.



DataFAX
 SPEC: 21448

MANUAL: 214486 (In-Ceiling Models), 224336 (Pendant Models)

C1448 / REVISED 10-02



International Standards
 Organization Registered
 Firm ISO 9001 Quality System



TECHNICAL SPECIFICATIONS

MODELS

| Model Number | In-ceiling | Pendant | Indoor | Outdoor | Color | | Bubble |
|--------------|------------|---------|--------|---------|-------|------|---|
| | | | | | Black | Gray | |
| DF8A | • | | • | | | | Smoked bronze, 1 f-stop light loss |
| DF8A-0 | • | | • | | | | Opaque black, smoked window, 1/2 f-stop light loss |
| DF8A-1 | • | | • | | | | Opaque black, clear window, zero light loss |
| DF8A-2 | • | | • | | | | Chrome, 2 f-stops light loss |
| DF8A-3 | • | | • | | | | Gold, 2 f-stops light loss |
| DF8A-10 | • | | • | | | | Opaque white, clear window, zero light loss |
| DF8-PB-0 | | • | • | | • | | Opaque black, smoked window, 1/2 f-stop light loss |
| DF8-PB-1 | | • | • | | • | | Opaque black, clear window, zero light loss |
| DF8-PB-2 | | • | • | | • | | Chrome, 2 f-stops light loss |
| DF8-PB-3 | | • | • | | • | | Gold, 2 f-stops light loss |
| DF8-PG-0 | | • | • | | | • | Opaque black, smoked window, 1/2 f-stop light loss |
| DF8-PG-1 | | • | • | | | • | Opaque black, clear window, zero light loss |
| DF8-PG-2 | | • | • | | | • | Chrome, 2 f-stops light loss |
| DF8-PG-3 | | • | • | | | • | Gold, 2 f-stops light loss |
| DF8-PG-E0 | | • | | • | | • | Opaque black, smoked window, heater and blower, 1/2 f-stop light loss |
| DF8-PG-E1 | | • | | • | | • | Opaque black, clear window, heater and blower, zero light loss |

Note: DomePak® models with factory-installed and back focused camera and lens packages are available. Please refer to the DF8 Series Selection Guide or contact the factory for available models.

MECHANICAL

| | |
|------------------------------|---|
| Cable Entry | |
| In-Ceiling | 0.875-inch (2.22 cm) knockouts positioned in top and sides of back box |
| Pendant | Through top of dome |
| Maximum Camera and Lens Size | The following dimensions are specified according to fixed camera mount position and include allowance for the BNC connector. Actual length may vary if width and height of camera and lens are different. |

In-Ceiling

| | |
|-----------------|---|
| Horizontal | 7.5" L x 2.75" W x 2.6" H (19.05 x 6.99 x 6.60 cm) |
| 15 Degree Angle | 8.0" L x 2.75" W x 2.6" H (20.32 x 6.99 x 6.60 cm) |
| 30 Degree Angle | 9.0" L x 2.75" W x 2.6" H (22.86 x 6.35 x 5.33 cm) |

Pendant

| | |
|-----------------|---|
| Horizontal | 7.5" L x 2.75" W x 2.6" H (19.05 x 6.99 x 6.60 cm) |
| 15 Degree Angle | 8.0" L x 3.0" W x 3.0" H (20.32 x 7.62 x 7.62 cm) |
| 30 Degree Angle | 9.0" L x 3.0" W x 3.0" H (22.86 x 7.62 x 7.62 cm) |

GENERAL

| | |
|--------------|--|
| Environment | Indoor/Outdoor |
| Construction | |
| Back Box | Aluminum |
| Lower Dome | Acrylic plastic |
| Faceplate | Eggshell white plastic (in-ceiling models) |
| Trim Ring | Aluminum (pendant models) |
| Finish | Polyester powder coat (pendant models) |

Operating Temperature

| | |
|----------|---|
| Indoor | 32° to 120°F (0° to 49°C) |
| Outdoor* | -60° to 122°F (-51° to 50°C) continuous operation -50° to 122°F (-46° to 50°C) continuous operation; prevents icing -40 to 122°F (-40° to 50°C) continuous operation; de-ices within 3 hours after power-up |

*Assumes no windchill factor.

| | | |
|------------|------------------|----------------|
| Weight | Unit | Shipping |
| In-Ceiling | 3.1 lb (1.4 kg) | 6 lb (2.72 kg) |
| Pendant | | |
| Indoor | 6.0 lb (2.72 kg) | 10 lb (4.5 kg) |
| Outdoor | 8.5 lb (3.85 kg) | 13 lb (5.8 kg) |

ELECTRICAL

| | |
|--------------------|---------------------------------|
| Input Voltage | 14-30 VAC (outdoor models only) |
| Power Requirements | 92 vA at 24 VAC |

CERTIFICATIONS

- UL Listed
- UL Listed to Canadian safety standards

OPTIONAL ACCESSORIES

| | |
|--------|---|
| DF8A-R | Two 26-inch (66.04 cm) aluminum support rails for mounting DF8A Series dome in suspended ceiling. (Can also be used for additional support in hard ceiling applications.) |
|--------|---|

RECOMMENDED MOUNTS

| | |
|------------|--|
| DF8A-P | 2' x 2' (61 cm x 61 cm) aluminum faceplate for suspended ceiling applications. Replaces existing ceiling tile. |
| IWM Series | Wall mount, black or gray, with or without 24 VAC, 100 vA transformer, for use with pendant models. |
| MRC A | Black ceiling mount adapter for pendant models. |
| MRWA | Black wall mount adapter for pendant models. |



Pelco Worldwide Headquarters:

3500 Pelco Way, Clovis, California 93612-5699 USA
USA & Canada Tel: (800) 289-9100 • FAX (800) 289-9150 • DataFAX (800) 289-9108
International Tel: (559) 292-1981 • FAX (559) 348-1120 • DataFAX (559) 292-0435
www.pelco.com

DomePak® is a registered trademark of Pelco. Specifications subject to change without notice. ©Copyright 2002, Pelco. All rights reserved.