

MONITOR AFx™ SECURITY EXPANDER POD

The Security Expander POD assures:

- Economical and effective system expansion
- Minimized installation time
- Enhanced security capabilities
- Supports integration with other security technologies

When selecting the most effective security solution, or increasing existing protection, it is important that you choose a system that does not limit your expansion capability as your security needs change.

When additional security or a system upgrade is required, the Monitor AFx Security Expander POD eliminates the need for a more expensive alternative, which can include a complete system replacement. Utilizing distributed processing technology, system expansion is both simple and cost effective.

Both the 8 and 16 Security Expander PODs operate on Chubb's exclusive SNAPP bus, allowing additional detection devices to be added to the system, often without the need to wire back to the main control panel.

With Chubb's proprietary programming language CAPL, the Security Expander POD's multiple output points can be customized to offer the option of integrating access control, closed circuit video and other security, life/safety and environmental systems with Monitor AFx.



Visual Indicators

Both PODs provide the option of nine (9) LEDs to visually indicate system and point status.

Multiple Input Types

8 or 16 supervised inputs can be programmed for any one of five (5) electrical configurations ensuring compatibility with any security application requirement.

Optimized Performance

With the ability to reside up to 2000 feet from the Monitor AFx Control Unit, the Security Expander PODs can always be installed in the most effective location.

Auxiliary Power

All Security Expander PODs require no external auxiliary power. This eliminates the need for additional power supply cables for low current detectors including door contacts, motion detectors and glass break sensors.

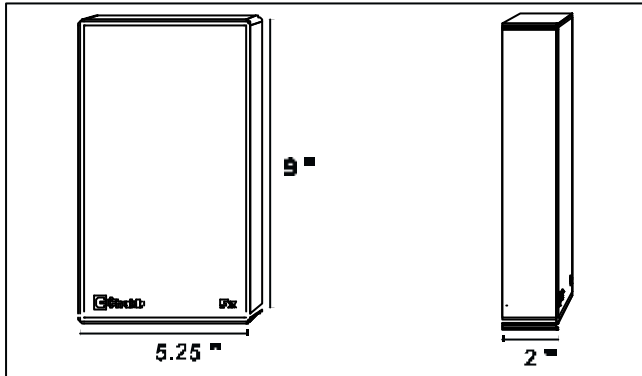
Tamper Protection and System Integrity

The Monitor AFx Security Expander POD houses an onboard security feature which permits access to authorized personnel only. The integrity of the system is continuously monitored to ensure uncompromising protection. Designed and produced by Chubb, in Canada, the Monitor AFx family of products will continue to expand and set new standards in the security industry.

ISO 9002-94



Cert # 000879



Specifications

8 or 16 Point Expander POD

Inputs:

- 8 or 16 two wire inputs

Outputs:

- 2 or 8 outputs (Expandable to 10 or 16)

Supervision:

- Normally closed
- Normally Open with End-of-Line
- Normally Closed with End-of-Line
- Form C with End-of-Line
- Dual End-of-Line

System Architecture:

Local area network utilizing SNAPP protocols. Onboard interpretive programming language (CAPL).

Main Supply:

- Derived from SNAPP bus.

Aux. Power available for sensors, dependent on number of PODs and components connected to system.

Enclosure:

5.25 " wide, 9 " high, 2 " deep

Material:

Molded plastic, white

Environmental

Temperature Range:

0° C to 50° C

Humidity Range:

10% to 90%

Designed and tested to withstand RF and powerline interference, static and lightning, to the most prevailing industry standards.

Standards



ULC listed UL pending.

Part Numbers

100-2530	8 Point Expander POD
100-2531	8 Point Expander POD with LED Annunciation
100-2533	16 Point Expander POD
100-2534	16 Point Expander POD with LED Annunciation