

MONITOR AFx™

IP Interface Module

- Adds IP functionality to any MONITOR AFx™ panel
- Using IP, provides full control, status and configuration using MONITOR AFx™ Director
- Provides fully polled, secure and authorized alarm reporting to Central station using IP
- Allows the telephone connection to be used as backup
- Mounts easily into MONITOR AFx™ panel
- Built in RJ45 network connection



Each MONITOR AFx™ control panel can be equipped with an optional IP interface board, giving you IP addressability directly to the panel. The interface board can be retrofitted to any existing MONITOR AFx™ control panel and features a direct RJ45 connection on board.

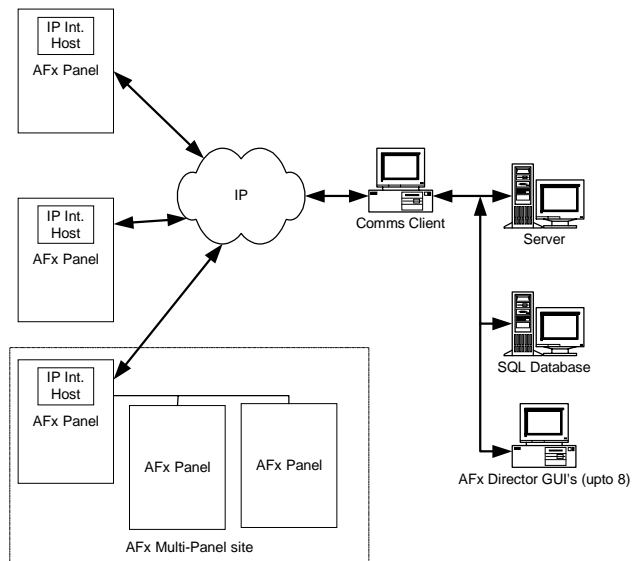
Once installed, you simply register the panel's IP address into the MONITOR AFx™ Director software and you will have full control, status and system configuration functionality from your desktop.

Secured alarm reporting over IP

The new IP option also offers you fully polled, secure and authorized alarm routing to a Central Station using Internet Protocol. Simply install the receiver software at the monitoring station, and each panel will be able to report its alarms directly without the need for a costly telephone connection. If a telephone connection is present the system will be fully redundant and each panel will automatically switch to modem reporting if the IP polling is not detected.

IP HOST Module

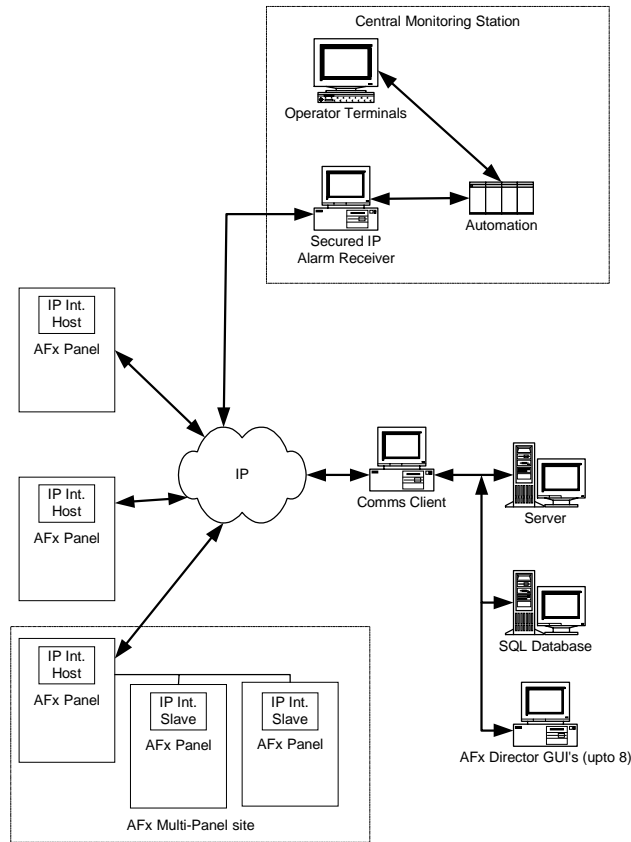
The IP host module is required to add IP functionality to a panel. Only one interface is required even in multi-panel applications.



AFx Panels with IP connectivity for AFx Director

IP SLAVE Module

The IP Slave module is only required for multi-panel application in which Secured alarm reporting (SIP) to the central station is being used.



MONITOR AFx™ Panels with IP connectivity for Secured IP alarm reporting

Specifications

Compatibility

- MONITOR AFx™ Version 3.3 main panel firmware
- MONITOR AFx™ Director V3.3

Environmental

Temperature Range:
32° - 120°F (0° C to 50° C).

Part Numbers

120-8102 IP Interface Module HOST
120-8103 IP Interface Module SLAVE

Guardall is constantly working to improve products and reserves the right to alter equipment designs and specifications without notice or obligation.

© 2001 CSG Security Inc. / Sécurité CSG Inc.

5201 Explorer Drive, Mississauga, Ontario, Canada, L4W 4H1

Toll-free (USA & Canada): 1-877-249-9993
 Phone: ++1-905-206-8434
 Fax: ++1-905-629-4970
 www.guardall.com sales@guardall.com

Rev. DRAFT August 23, 2001